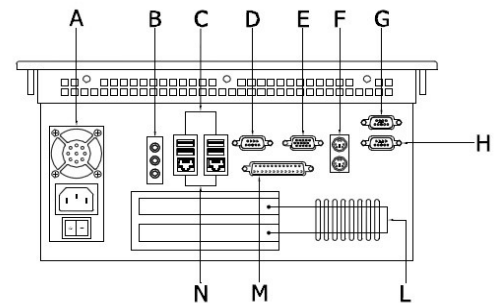


Legend:

- | | |
|-------------------------------|---------------------|
| A - POWER CONNECTOR | G - RS-232 [COM 2] |
| B - LINE OUT; MIC IN; LINE IN | H - RS-232 [COM 3] |
| C - 4x USB 2.0 | L - EXPANSION SLOTS |
| D - RS-232 [COM 1] | M - PARALLEL PORT |
| E - VGA | N - GIGABIT LAN 1/2 |
| F - PS/2 (KEYBOARD MOUSE) | |



System:

- CPU : Via Eden X4 1.2 GHz
- Chipset : Via VX900 unified digital media IGP chipset
- FSB : 1066 MHz
- Graphics : Integrated Via Chrome 9 HD DX9
- Memory type : 1x DDR3 dimm 1600 MHz [up to 4 GB]
- Audio : Via VT1708S HD audio
- Ethernet : 2x Via VT6130 PCIe gigabit ethernet

Display:

- TFT type : 10.4" Color TFT LCD with LED Inverter
- Resolution : 800x600 pixels
- Brightness : 230 cd/m² (typical)
- Contrast ratio : 500:1 (typical)
- View angle : -60~60 (H); 55~45 (V)
- Max colours : 16.2 Millions
- Touch type : Five wires resistive

Input / Output connectors:

- Serial ports : 3x RS-232 connectors
- USB ports : 4x USB 2.0; 1x USB 2.0 [frontal]
- Audio : 3x audio jacks: 1x LINE OUT; 1x MIC IN; 1x LINE IN
- Video output : 1x VGA port
- Ethernet : 2x RJ45 ports
- Parallel port : 1x LPT port
- I/O ports : 2x PS/2 connectors (keyboard/mouse)
- Power connection : 24 VDC terminal block (1x 3-pins)
: 110 – 230 VAC standard cable

Supported operating systems:

- DOS
- Windows XP Professional SP2 [32 bit]
- Windows XP Embedded SP2 [32 bit]
- Windows XP Professional SP3 [32 bit]
- Windows XP Embedded SP3 [32 bit]
- Windows Seven SP1 [32 bit]
- Windows Seven Embedded Standard [32 bit]

Expansion slots:

- 2x SATA II connectors
- 2x PCI slots with riser card (optional)

Power specification:

- Rated input voltage : 24 VDC 110 – 230 VAC
- Input voltage limit : 9.....29 VDC 90.....264 VAC
- Power consumption : 19 W (typical consumption)

Generic specifications:

- Dimension : 300x245x145 (L x H x W)
- Weight : 5 Kg
- Materials : anodized aluminium (panel)
: galvanized (case)
- Cooling type : fanless
- Protection grade : IP 66 (frontal)
- Mounting type : panel mounting with pins
- Operating temperature : 0 °C - +50 °C (95% humidity, no condensing)

Order options:

- Storage: 2x HDD/SSD
- Memory module size: 2GB or 4GB DDR3 dimm 1600 MHz
- Expansion slots: Riser card with 2x PCI slots
- Additional WI-Fi module [PCI device]
- Additional PCI devices [by request]
- External USB 2.0 DVD-RW recorder